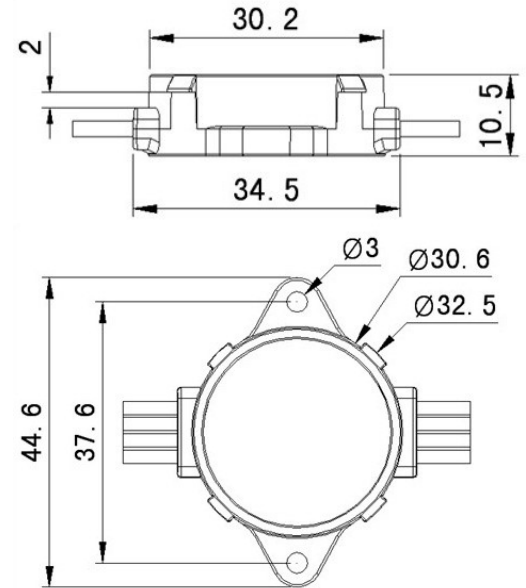


RGB LED pixel strings

for exterior architectural lighting displays



general specification

lifespan 50,000 hours

viewing angle 120° to 180°

protection rating IP68

operating environment -20°C - +55°C

production technology twice sealed

warranty 2 years

weather resistance 10 years

size d32.5mm x h10.5mm

electrical grade III class

flame-retardant grade V-0

UV resistance level 4

voltage 5V / 12V

power 0.24W / 0.3W / 0.72W

weight ± 16.5g / pc

RGB LED pixels have been twice resin-sealed for reliable weather protection. With an IP rating of IP68, fireproof grading of V-0, and an ability to be submerged in up to 20M of water, they are suitable for a range of architectural uses such as lighting city buildings, bridge lighting, swimming pools and other exterior lighting applications.

They can be controlled remotely (using an SD card) to show RGB colour, or programmed using a computer to show real-time images, text, video, and other signals.

Pixels available with various case designs with either snap-fit or screw fixings. Diffusers and trunking systems available (below).



other pixel types available



| | |
|-----------------------|-----------------|
| size | d22mm x h14.5mm |
| number of LEDs | 1 |
| IP rating | IP68 |
| power | 0.24W / 0.3W |
| voltage | 5V / 12V |



| | |
|-----------------------|------------------------|
| size | 29.8mm x 29.8mm x 11mm |
| number of LEDs | 3 |
| IP rating | IP68 |
| power | 0.72W |
| voltage | 5V / 12V |



| | |
|-----------------------|-----------------|
| size | d40mm x h11.1mm |
| number of LEDs | 3 |
| IP rating | IP68 |
| power | 0.72W |
| voltage | 12V |

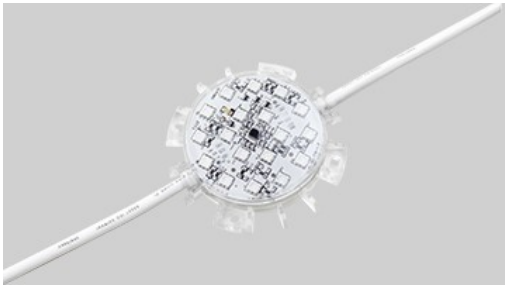


| | |
|-----------------------|----------------------|
| size | d47.2mm x h14.9mm |
| number of LEDs | 6 |
| IP rating | IP68 |
| power | 0.72W / 0.96W / 1.2W |
| voltage | 12V |

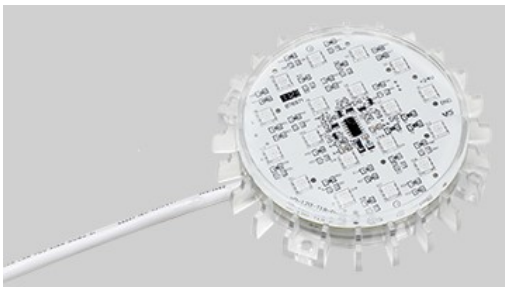


| | |
|-----------------------|----------------|
| size | d60.1mm x 15mm |
| number of LEDs | 12 |
| IP rating | IP68 |
| power | 1.44W / 2.88W |
| voltage | 24V |

other pixel types available



| | |
|-----------------------|-----------------------|
| size | d70mm x 19mm |
| number of LEDs | 18 |
| IP rating | IP68 |
| power | 1.44W / 1.92W / 2.88W |
| voltage | 24V |



| | |
|-----------------------|-----------------------|
| size | d90mm x 21.2mm |
| number of LEDs | 18 |
| IP rating | IP68 |
| power | 2.16W / 2.88W / 4.32W |
| voltage | 24V |



| | |
|-----------------------|---------------------|
| size | 116mm x 50mm x 11mm |
| number of LEDs | 12 |
| IP rating | IP68 |
| power | 1.92W / 2.88W |
| voltage | 24V |