

A New Experience in Light

AR111 LED Lamp



AR111 is an exceptionally high performance LED lamp built to last. It is a premium quality solid state lighting product precisely engineered and manufactured with state of the art technologies and materials.

Proprietary driving circuit enables AR111 to replace traditional incandescent/halogen lamp, up to 75 Watt, directly without additional modification or transformer.

- Solid State Lighting Technology
- Decrease Energy Consumption
- Reduce CO₂ Emission
- Superior Quality Light
- Ecologically Friendly
- Built to Last
- 3 Year Limited Warranty

Table of Contents

| | |
|------------------------------------|---|
| • Dimensions..... | 2 |
| • Absolute Maximum Rating..... | 2 |
| • Specifications..... | 2 |
| • Illuminance and Beam Angles..... | 3 |
| • Light Patterns..... | 3 |
| • Lifetime..... | 4 |
| • Application Notes..... | 4 |

Dimensions

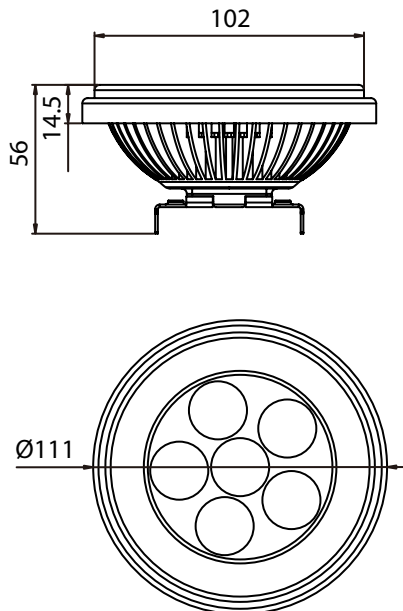


Figure 1: AR111 dimensions

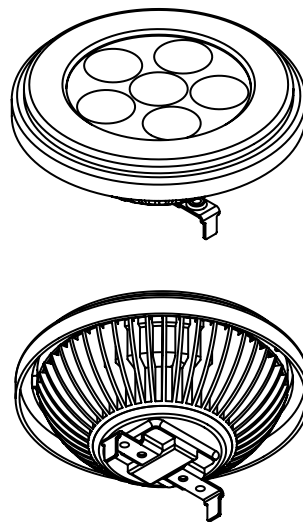


Figure 2: AR111 dimensions

Unit: mm
Tolerance: ±2.5 mm

Absolute Maximum Rating

| Parameter | Rating | Units |
|-----------------------------|-----------|-------|
| LED Junction Temperature | 125 | °C |
| Plastic Housing Temperature | 80 | °C |
| Operating Temperature | -30 ~ +40 | °C |
| Storage Temperature | -40 ~ +60 | °C |
| Equilibrium Temperature | 55 | °C |

Table 1: AR111 LED Lamp absolute maximum rating

Specifications

| AR111 LED Lamp | |
|---------------------|---------------------|
| Power Consumption | 10 Watt |
| Field Angle | 25° / 40° |
| Color Temperature | 3000 / 4000 / 6000K |
| CRI | 75 / 90 |
| Surface Temperature | 60°C |
| Weight | 215g |
| Input Voltage | AC / DC 12V |

Table 2: AR111 Lamp specifications

Illuminance and Beam Angles

• Cool White

| Power Consumption | Part Number | CCT(Typ.) | Cone Beam Angle | Lux*@ 1m (Typ.) |
|-------------------|-----------------|-----------|-----------------|-----------------|
| 10W | LB-AR111-102100 | 6000K | 25°±2.5° | 3700 |
| | LB-AR111-104100 | | 40°±1.5° | 1900 |

• Neutral White

| Power Consumption | Part Number | CCT(Typ.) | Cone Beam Angle | Lux*@ 1m (Typ.) |
|-------------------|-----------------|-----------|-----------------|-----------------|
| 10W | LB-AR111-102200 | 4000K | 25°±2.5° | 2700 |
| | LB-AR111-104200 | | 40°±1.5° | 1650 |

• Warm White

| Power Consumption | Part Number | CCT(Typ.) | Cone Beam Angle | Lux*@ 1m (Typ.) |
|-------------------|-----------------|-----------|-----------------|-----------------|
| 10W | LB-AR111-102300 | 3000K | 25°±2.5° | 2400 |
| | LB-AR111-104300 | | 40°±1.5° | 1400 |

Table 3: AR111 LED Lamp illuminance and beam angles

Notes:

1. Lux value is measured under thermal balanced condition. (i.e. after 1 hour continuous operation)
2. LED is a dynamic and constantly evolving technology. The final lux output of your AR111 LED Lamp may vary.
3. Input voltage = AC 12V

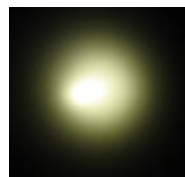
Light Patterns

• 25°

LB-AR111-102100 ○ 6000K



LB-AR111-102200 ● 4000K



LB-AR111-102300 ● 3000K



• 40°

LB-AR111-104100 ○ 6000K



LB-AR111-104200 ● 4000K



LB-AR111-104300 ● 3000K



Figure 3: AR111 LED Lamp light patterns of different color temperature

A New Experience in Light

Lifetime

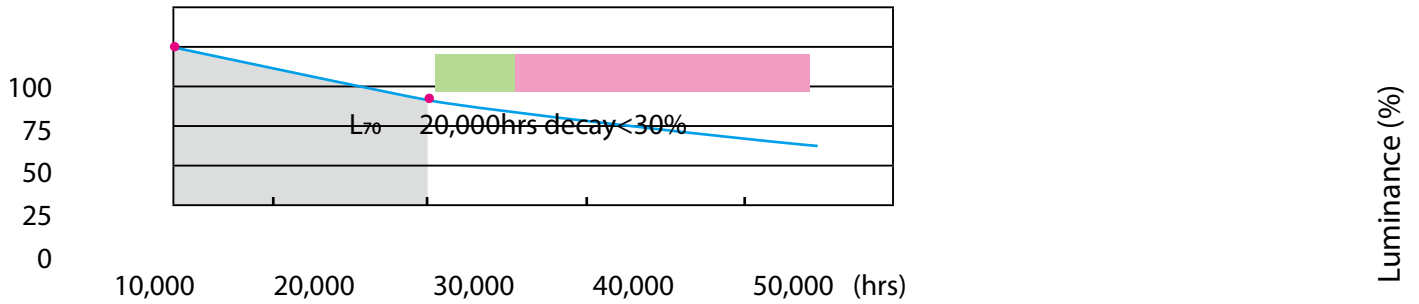


Table 4: AR111 LED Lamp Lifetime

Application Notes

The compact and integral design of the AR111 LED Lamp make it ideal for a wide variety of lighting applications, including retail store spotlight, ceiling downlight, as well as many other accent lightings.



Various color temperature and beam pattern options are suitable for an array of scenarios. AR111 LED Lamp also comes in different finishes, white, silver or black for different needs.

Note : These lamps will work with all magnetic or wire wound transformers. However, if using these lamps with electronic transformers, please check that the transformer is capable of powering a minimum load of 10 Watts.

As part of its policy of continuous research and development, manufacturer reserves the right to change or withdraw specifications without prior notice.